

SIDEWALK EXHIBIT

THE Q AT MILFORD
MAP 43; BLOCK 69
0 PONEMAH HILL ROAD
MILFORD, NEW HAMPSHIRE
HILLSBOROUGH COUNTY

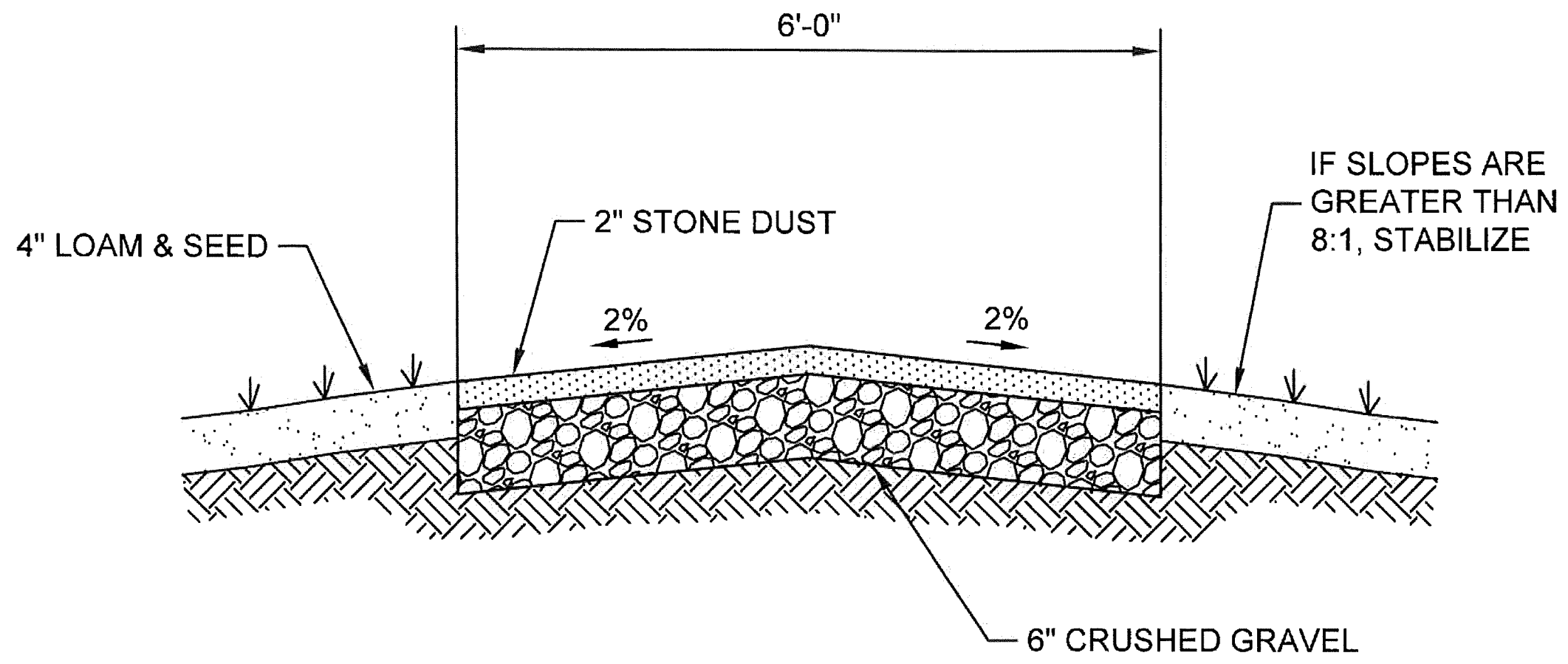
OWNER OF RECORD: SALT CREEK PROPERTIES, LLC PO BOX 967 AMHERST, NH 03031 H.C.R.D. BK. 8420 PG. 1596	OWNER/APPLICANT: TM BOLDUC HOLDINGS, LLC 131 BURKE STREET, SUITE A NASHUA, NH 03060
--	---

KMA KEACH-NORDSTROM ASSOCIATES, INC.
Civil Engineering Land Surveying Landscape Architecture
10 Commerce Park North, Suite 3B, Bedford, NH 03110 Phone (603) 827-2881

REVISIONS			
No.	DATE	DESCRIPTION	BY

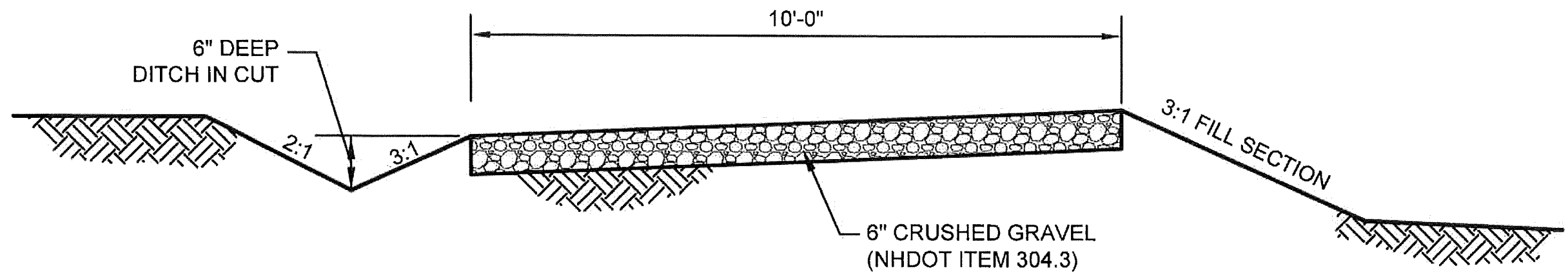
DATE: OCTOBER 9, 2023 SCALE: 1" = 30'
PROJECT NO: 21-1216-1 SHEET 1 OF 1





STONEDUST WALKWAY

NOT TO SCALE



TYPICAL GRAVEL MAINTENANCE ROAD CROSS SECTION

NOT TO SCALE

(MARCH 2011)